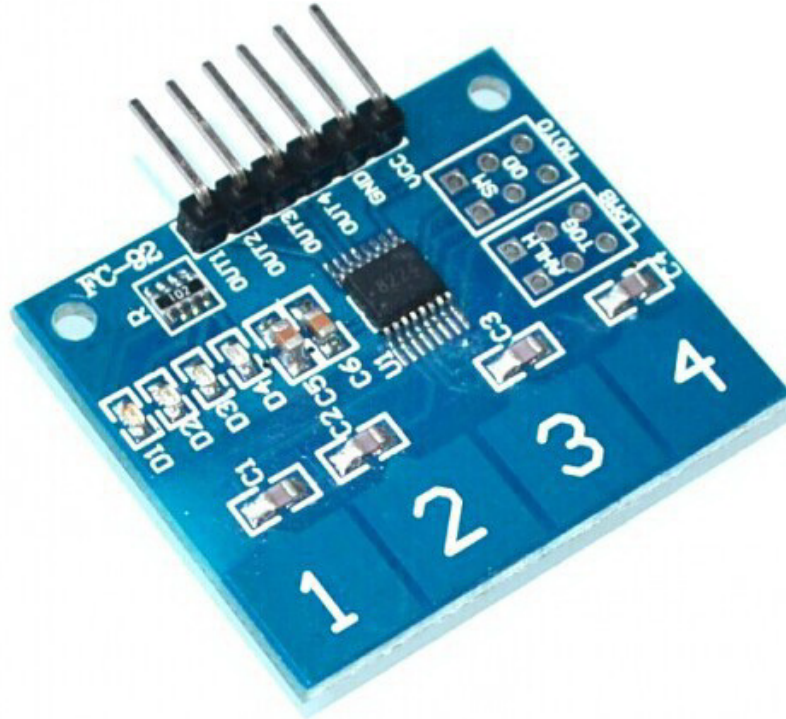




4 Channel Digital Touch Sensor Capacitive Switch Module



Description

The TTP224 is a touch pad detector IC which offers 4 touch key. The touching detection IC is designed for replacing traditional direct button key with diverse pad size. Capacitive touch allows electronics to sense when your finger is within a few millimetres of a surface to simulate a button “press” just like how the pushbutton works. Capacitive sensing may be used in any place where low to no force human touch sensing is desirable.

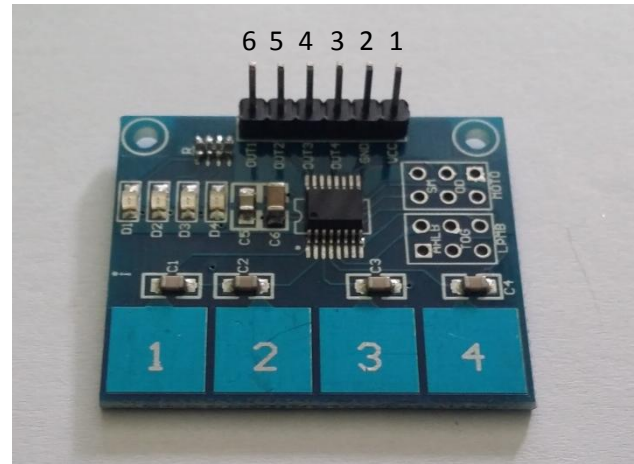
Specifications

- On-board TTP224 capacitive touch 4 key induction IC
- On-board 4 road level indicator.

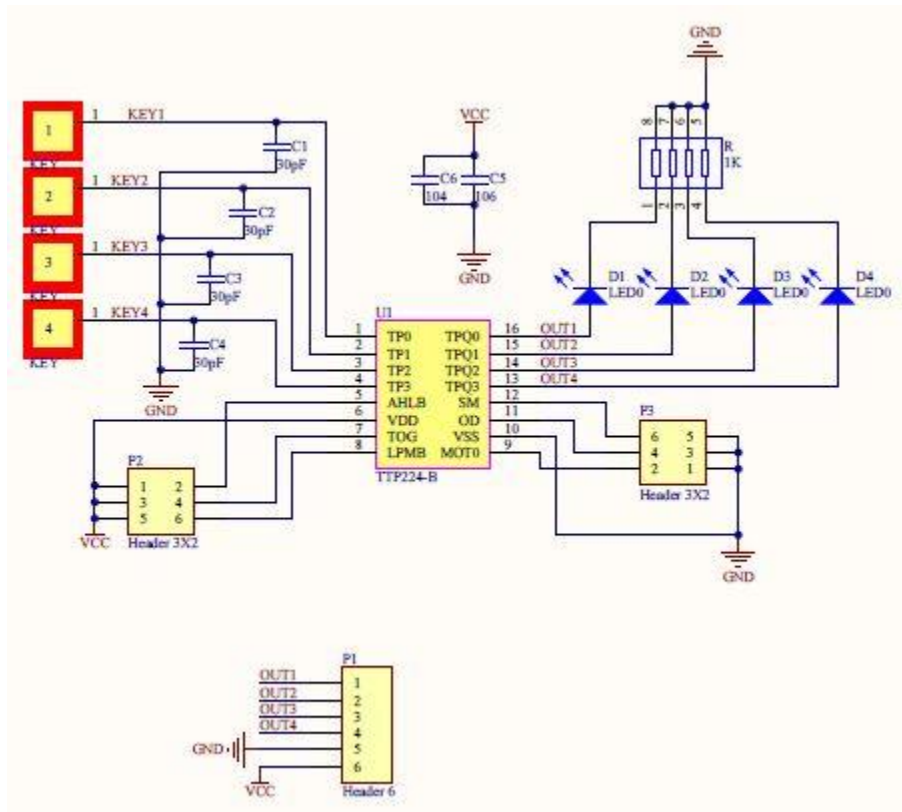
- Working voltage: 2 V to 5.5 V DC
- Adjustable output mode, key output mode, longest time and fast/low power output
- PCB board size: 35(mm) x29 (mm).

Pin Configuration

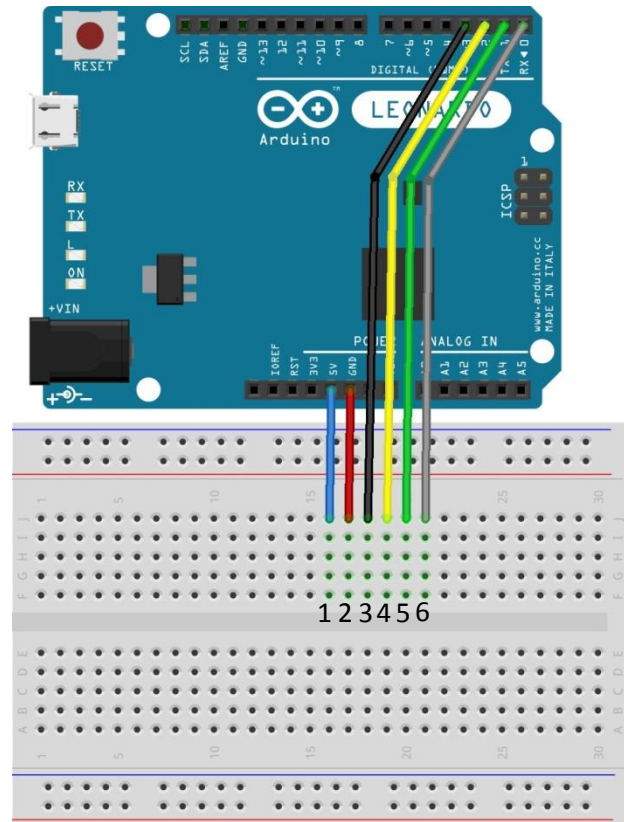
1. VCC: 2V to 5.5V DC
2. GND: ground
3. OUT4: high/low output
4. OUT3: high/low output
5. OUT2: high/low output
6. OUT1: high/low output



Schematic Diagram



Wiring Diagram



Sample Sketch

```
int i;  
  
void setup(){  
  for(i=0; i<4; i++) pinMode(i, INPUT);  
  Serial.begin(9600);  
}  
  
void loop(){  
  for(i=0; i<4; i++){  
    if(digitalRead(i) == HIGH) Serial.println(i+1);  
  }  
  delay(100);  
}
```

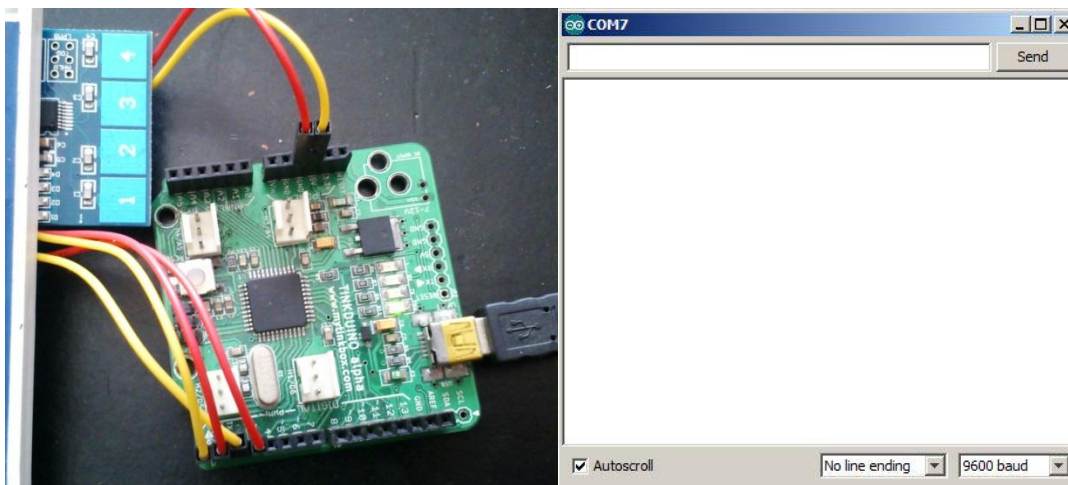
How to test

The components to be used are:

- Microcontroller (any compatible arduino)
 - TTP224 4-channel capacitive touch
 - 1 Pin M-M connectors
 - Breadboard
 - USB cable
1. Connect the components based on the figure shown in the wiring diagram using a M-M pin connector. VCC pin is connected to the 3.3V or 5V power supply, GND pin is connected to the GND, OUT1, OUT2, OUT3, and OUT4 pins are connected to the digital I/O pin. Pin number will be based on the actual program code.
 2. After hardware connection, insert the sample sketch into the Arduino IDE.
 3. Using a USB cable, connect the ports from the microcontroller to the computer.
 4. Upload the program.
 5. See the results in the serial monitor.

Testing results

The serial monitor shows the results on tapping the module.



The figure below shows when the 4 channels were tapped. A red LED should also flash simultaneously. Note that the number of 'tap' lines depends on how long the module was tapped and on the delay in the sample sketch.

