

Specification

Model: SCT006

Characteristic:

Opening size: 6mm×6mm

Current output type, built-in protection diode

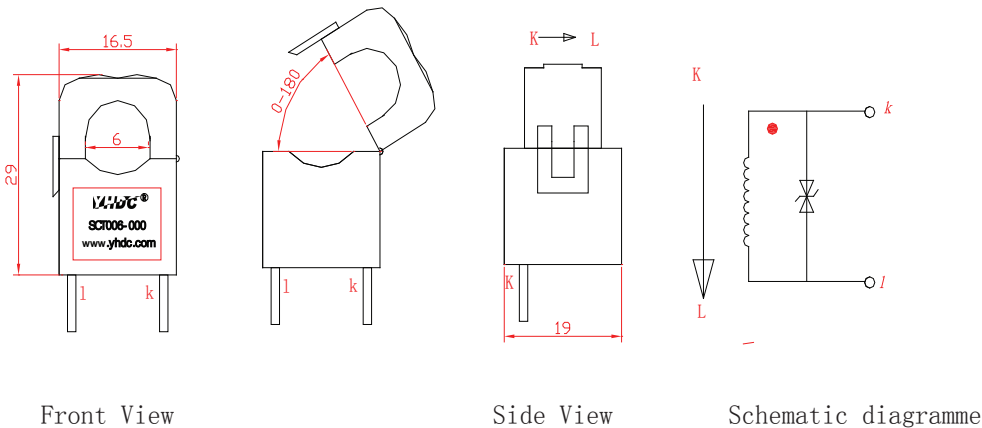
Leading wire type: black and white double ridge

Dielectric strength: 1000V AC/min 5mA

(between Shell and output)

Material of cores: ferrite

Outline size diagramme:(in mm)



Front View

Side View

Schematic diagramme

Basic technical parameter table:

Input current arrange	Outout current	Linearity	Work temperature	Work frequency
0-30A	40mA/37.5mA	≤0.2%	-25℃~+85℃	50/60Hz
Variable ratio	Secondary internal resistance	Accuracy grade	Dielectric strength	
1:800	71Ω	2%	1000V AC/1min 1mA	

Attention:

If the customer request custom make, please consult the technical department.